

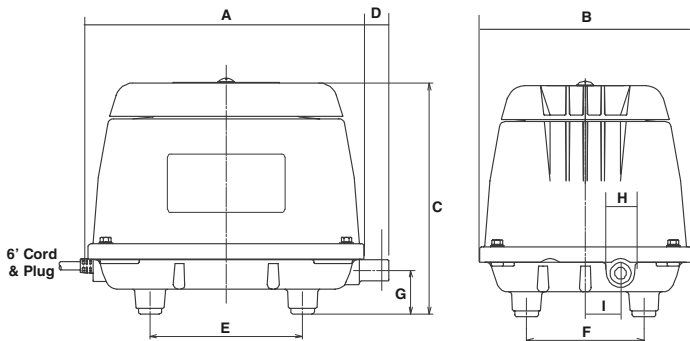
HP Series Linear Pumps

Models HP20, 40, 60 and 80



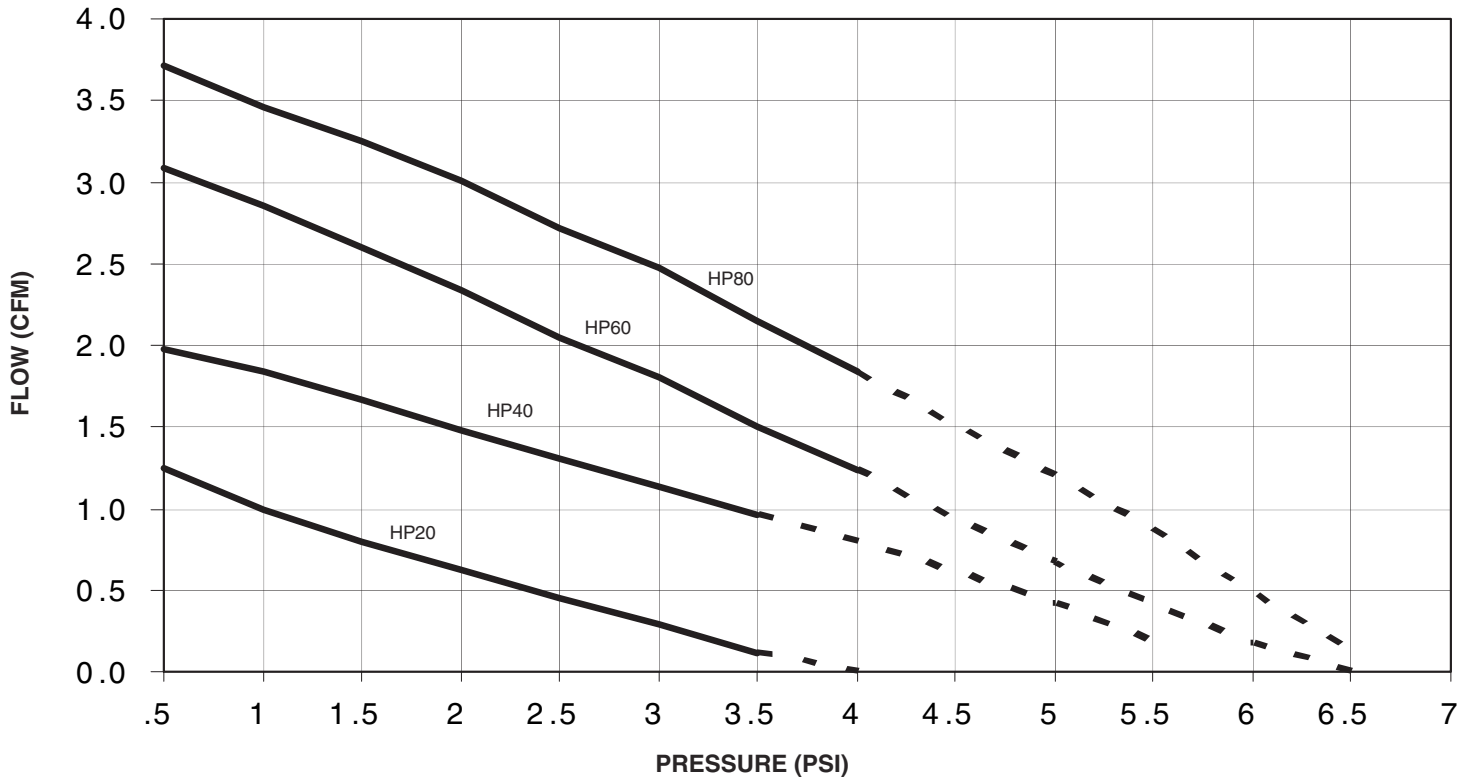
Model Number	HP20-0110	HP40-0110	HP60-0110	HP80-0110
Voltage (VAC)	120	120	120	120
Frequency (Hz)	60	60	60	60
Max. Cont. Pressure (psig)	3.5	3.5	4	4
Max. Inter. Pressure (psig)	3.6	5.5	6.5	6.5
Open Flow (c.f.m.)	1.25	2	3.1	3.7
Power Consumption (amps)	0.3	0.8	1.3	1.6
Sound Level (dBA @3 ft.)	31	32	35	36
Weight (lbs.)	7	13	15.5	15.5
Service Kit # Chamber Bkck.	10PC000010	40PC000030	80PC000041	80PC000041

Performance data noted is representative of typical values. Specifications and performance data are subject to change without notice. Purchaser is responsible for determining suitability for product applications.



Model	Dim.	A	B	C	D	E	F	G	H	I
HP60/80	Inches	9.3	7.1	7.8	0.8	5.1	4	1.5	0.7	1.2
	Millimeters	235	180	197	21	130	100	37	18	30
HP40	Inches	8.2	6.8	7.5	0.8	4.8	3.5	1.5	0.7	1.2
	Millimeters	208	171	190	21	120	90	37	18	30
HP20	Inches	7.2	5.4	6.7	0.8	3.6	3.1	1.5	0.7	0.8
	Millimeters	182	138	170	21	92	78	37	18	20

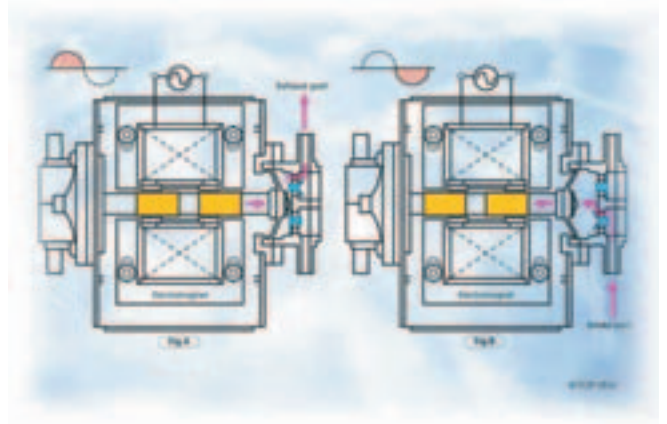
HP20, 40, 60 & 80 PERFORMANCE



Working Principle

When the alternating current is applied to the electromagnet, the actuating rod moves first in the direction of the arrow as shown in Fig A and then in the direction of the arrow as shown in Fig B, by the magnetic attraction and repellent forces exerted between the electromagnet and the permanent magnets attached to the rod.

The rod vibrates at the same frequency as that of the power supply and changes the volume of space enclosed between the casing and the diaphragm.



Features

- Quiet Operation
- Low Power Consumption, Vibration, Pulsation and Starting Current
- Oil-less Contamination Free Design
- Long Life
- Automatic Pressure Limitation
- U.L. Outdoor Rating Available on most HP Series
- Easy to Service
- Custom OEM Models
- Fast Reliable Shipments/Delivery
- Thermal Protection
- Over Pressurization Protection
- C.E. Compliant and U.L. Listed Models

Product Performance Range

Flows up to 10.5 Cubic Feet per Minute
Pressures up to 7.5 p.s.i.g.

Terms/Conditions

Visit our website www.hiblow-usa.com for current data covering product Terms & Conditions of Sale and Warranty information.

Applications



- Aeration
- Air Purification
- Air Sampling
- Bubble Bath
- Gas Analyzer
- Liquid Agitation
- Medical & Scientific Equipment
- Pneumatic Beds
- Air Mattresses
- Wastewater Treatment
- Aerobic Treatment
- Air Cleaners
- Aquarium
- Ozoning Equipment
- Sequential Compression Devices
- Lift Station Equipment
- Air Massager

